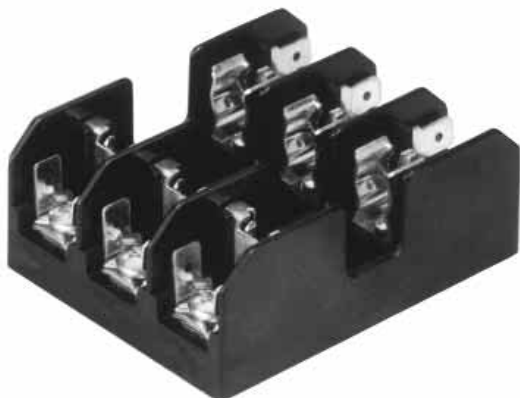


# Class CC Fuseblocks

## 600 Volt, 30 Amps

# BC Series



**Catalog Symbol:** BC Series

**Class CC Fuseblocks**

For use with Class CC Fuses (Bussmann LP-CC, KTK-R, and FRQ-R)

**Ampere Rating:** 1/10 to 30A

**Voltage Rating:** 600V

**Withstand Rating:** 200,000A RMS Sym.

**Agency Information:**

UL Listed, UL 512, Guide IZLT, File E14853

CSA Certified, C22.2 No. 39, Class 6225-01, File 47235

**UL Flammability:** 94VO

**Materials:** Base - Thermoplastic

Clips - Bright tin-plated bronze

**DIN-RAIL Adapters:** DRA-1 and DRA-2

### Catalog Data

Amps	Poles	Terminal Type				
		Screw	Screw with Quick Connect*	Pressure Plate	Pressure Plate w/ Quick Connect*	Box Lug
1/10 to 30	1	BC6031S	BC6031SQ	BC6031P	BC6031PQ	BC6031B
	2	BC6032S	BC6032SQ	BC6032P	BC6032PQ	BC6032B
	3	BC6033S	BC6033SQ	BC6033P	BC6033PQ	BC6033B

Wire Range  
CU Only

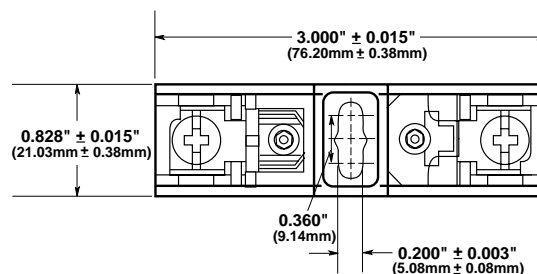


\* QUICK CONNECT RATED FOR 20A MAXIMUM.

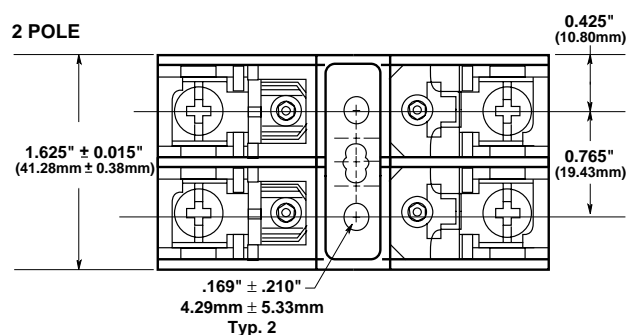
CE logo denotes compliance with European Union Low Voltage Directive (50-1000 Vac, 75-1500 Vdc). Refer to Data Sheet: 8002 or contact Bussmann Application Engineering at 636-527-1270 for more information.

### Dimensional Data

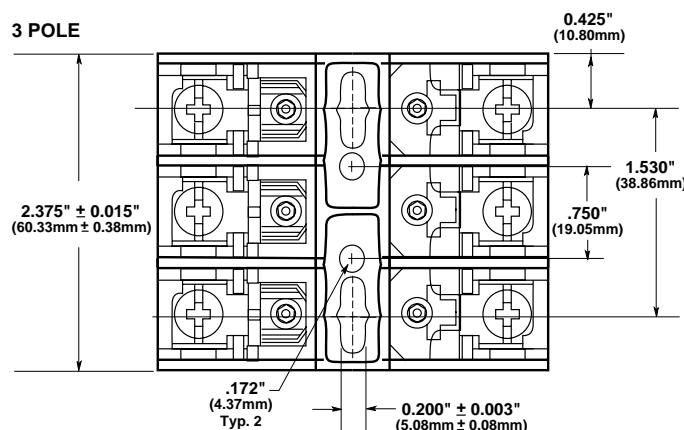
#### 1 POLE



#### 2 POLE



#### 3 POLE



### FUSEBLOCK LABEL (EXAMPLE SHOWN)

